

CJX2系列交流接触器

CJX2 Series AC Contactor



适用范围 Scope of Application

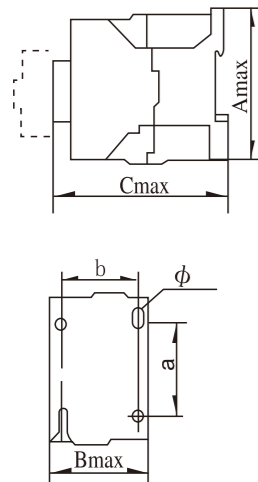
CJX2系列交流接触器(以下简称接触器),主要用于交流50Hz或60Hz额定工作电压到660V,在AC-3使用类别下额定工作电压变380V时额定工作电流从9至95A的电路中,供远距离接通和分断电路之用,且适宜频繁启动及控制交流电动机。

该接触器和热继电器对接可组成电磁起动器,若加空气延时头可组成延时接触器,另外,可增加辅助触头数量,可另加辅助触头组。还可以用两台同型号接触器之间加机械联锁机构组成可逆接触器或组装成星三角起动器。

CJX2 series AC contactor (hereinafter referred to as contactor), mainly used for AC 50Hz or 60Hz rated working voltage to 660V, rated working current from 9 to 95A in the AC-3 category of rated working voltage to 380V, for long-distance connecting and breaking the circuit, and suitable for frequent start and control of AC motor.

The contactor and the thermal relay can be connected to form an electromagnetic starter, if the air delay head can be added to form a delay contactor, in addition, the number of auxiliary contacts can be increased, and an auxiliary contact group can be added. A reversible contactor or a star triangle starter can also be assembled by adding a mechanical interlocking mechanism between two contactors of the same model.

型号及含义 Model And Meaning



CJ X □-□/□□ Z

- 有Z表示直接操作 There's Z for direct operation
- 派生代号: 如有N表示联锁接触器
Derived code: If N indicates interlock contactor
- 辅助触头数量及组合形成
Number and combination of auxiliary contacts
- 在AC-3使用类别下额定工作电压为380V时的额定工作电流(A)
Rated operating current at rated operating voltage 380V under AC-3 service class (A)
- 设计代号 Design code
- 小型 Small size
- 交流接触器 AC contactor

使用条件 Conditions of use

- 1. 环境温度: $-5^{\circ}\text{C} \sim +40^{\circ}\text{C}$;
- 2. 海拔高度: 不超过2000m;
- 3. 空气相对湿度: 在最高温度为 $+40^{\circ}\text{C}$ 时不超过 50%, 在较低温度下可以有较高的相对湿度, 在最湿月的月平均最低温度不超过 $+25^{\circ}\text{C}$ 该月的月平均最大相对湿度不超过90%, 由于温度变化发生在产品上的凝露情况必须采取措施。
- 4. 周围局部微观环境污染等级为“3级”。
- 5. 安装位置: 安装面对垂直面的倾斜度不超过 $\pm 5^{\circ}$ 。
- 6. 冲击和振动: 接触器应安装在无显著摇动、冲击和振动的地方。
- 7. 吸合电压: 接触器在额定电压的85%-110%Us下应正常吸合。
- 8. 释放电压: 接触器在额定电压的 20%-75%Us 范围内应正常释放。

- 1. Ambient temperature: $-5^{\circ}\text{C} \sim +40^{\circ}\text{C}$;
- 2. Altitude: no more than 2000m;
- 3. Air relative humidity: at the highest temperature of $+40^{\circ}\text{C}$ does not exceed 50%, at lower temperatures can have a higher relative humidity, in the wettest month of the monthly average minimum temperature does not exceed $+25^{\circ}\text{C}$ of the month of the monthly average maximum relative humidity does not exceed 90%, due to temperature changes in the condensation of the product must be taken measures.

CJX2系列交流接触器

CJX2 Series AC Contactor

- 4. The local micro-environmental pollution level is "Level 3".
- 5. Installation position: the inclination of the vertical face of the installation does not exceed $\pm 5^{\circ}$.
- 6. Shock and vibration: The contactor should be installed in a place without significant shaking, shock and vibration.
- 7. Suction voltage: the contactor should normally suction at 85%-110% of the rated voltage.
- 8. Release voltage: the contactor should release normally within the range of 20%-75% of the rated voltage.

技术参数 Technical Parameter

型号 Model	CJX2-	09	12	18	25	32	40	50	65	80	95	
额定绝缘电压Ui Uh insulation voltage Ui	V	690										
约发热电Ith About heating electricity Ith	A	20	25	32	40	50	60	80	80	95	95	
额定工作电流(A) Rated operating current (A)	380V	AC-3	9	12	18	25	32	40	50	65	80	95
		AC-4	3.3	5	7.7	8.5	12	18.5	24	28	37	44
	660V	AC-3	6.6	8.9	10.6	18	21	34	39	42	49	49
		AC-4	1.5	2	3.8	4.4	7.5	9	12	14	17.3	21.3
在AC-3使用类别下控制电动机 最大功率(kW) Maximum motor power under AC-3 usage category (kW)	220V	2.2	3	4	5.5	7.5	11	15	18.5	22	25	
	380V	4	5.5	7.5	11	15	18.5	22	30	37	45	
	660V	5.5	7.5	10	15	18.5	30	33	37	45	45	
在AC-4使用类别下控制电动机 最大功率(kW) Maximum motor power under AC-4 usage category (kW)	220V	0.8	1.1	1.6	2	2.6	4	5.2	6	8.2	10	
	380V	1.2	2.3	3.5	4	5.5	8.5	11	13	17	20	
	660V	0.8	1.6	2.8	3.5	6	7.2	9.6	12	14	17	
配用SCPD型号及电流(A) SCPD model and current (A)	NT00	20		32	50		60	80		125		
额定冲击耐受电压Uimp Rated impact withstand voltage Uimp	kV	8										
额定限制短路电流Iq Rated limited short circuit current Iq	kA	50 (对应电压660V)					50 (corresponding voltage 660V)					
线圈 Coil	吸合功率 Suction power	VA	50-70			90-100		190-250				
	保持功率 Holding power	VA	7-9.5			13-25		17-30				
机械寿命(万次) Machine Life (10,000 times)		1000				800			500			
电寿命(万次) Electrical Life (10,000 times)	AC-3使用类别 AC-3 Usage category	100			80		60		50			
	AC-4使用类别 AC-4 Usage category	20				15			10			
协调配合类型 Coordination type		“2”型 Type "2"										
能效等级 Energy efficiency class		3级 Level 3										
接线端子连接最大导线面积mm² The maximum cable area connected to the terminal is mm²	主回路 Main loop	1.5	2.5	4	6	10	16	35				
	辅助电路 Auxiliary circuit	1.5										
线圈控制电压Us Coil control voltage Us	AC(V)	24,36,48,110,127,220,380,415										

CJ19系列切换电容器接触器

CJ19 Series Switching Capacitor Contactor



适用范围 Scope of Application

CJ19系列交流接触器(以下简称接触器),在交流频率为50Hz,电压至380V电力系统中,专用于投切低压并联电容器,能有效地减少合闸涌流对电容器的冲击和降低开断瞬间的操作过电压,以改善电力系统的功率因数。

Cj19 series AC contactor (hereinafter referred to as contactor), in the AC frequency of 50Hz, voltage to 380V power system, dedicated to switching low-voltage shunt capacitor, can effectively reduce the impact of the closing inrush current on the capacitor and reduce the operating overvoltage of the breaking moment, in order to improve the power factor of the power system.

型号及含义 Model And Meaning



技术参数 Technical Parameter

型号 Model number	CJ19-25	CJ19-32	CJ19-43	CJ19-63	CJ19-95
可控容量Qn Controllable capacity Qn	220V 6	9	10	15	25
	380V 12	18	20	30	40
约定发热电流 I _{th} (A) Conventional heating current I _{th} (A)	25	32	43	63	95
额定绝缘电压 U _i (V) Rated insulation voltage U _i (V)	500				
操作频率 次/n Operating frequency times /n	120				
抑制涌流能力 Ability to suppress surge current	≤20I _e				
线圈 Coil	电压U _s (V) Voltage U _s (V)	220,380			
	动作范围 Range of action	0.85-1.1U _s			
	消耗功率 VA Power consumption VA	115		200	
	起动 Start up	11		20	
	吸持 Holding	11		20	
电寿命 万次 Electrical life ten thousand times	10				
机械寿命 万次 Mechanical life thousands of times	100				
辅助触头约定发热电流 I _{th} (A) Auxiliary contact conventional heating current I _{th} (A)	10				
辅助触头控制容量 Auxiliary contacts control capacity	AC-15 360VA;DC-13 33W				

CJ19系列切换电容器接触器

CJ19 Series Switching Capacitor Contactor

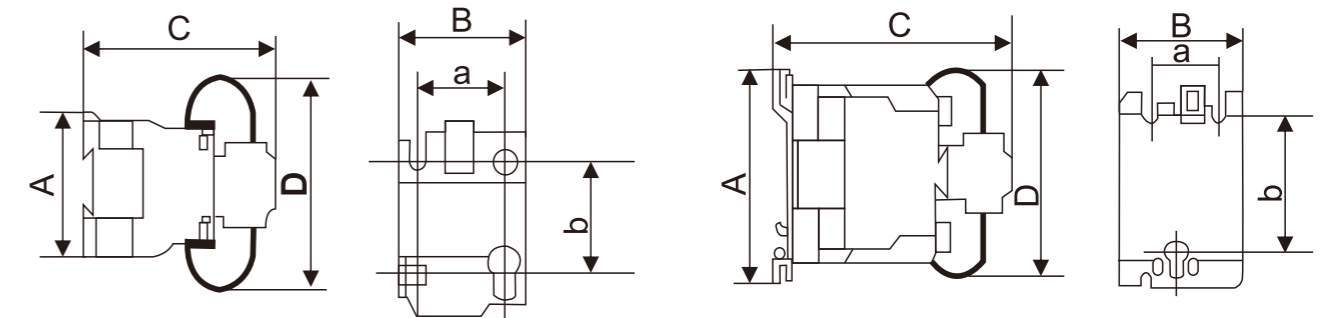
YIFA® 伊发
股票代码:870154

使用条件 Conditions of use

- 周围空气温度: -5°C~+40°C;
- 相对湿度: +25时不超过90%;
- 海拔: 不超过2000m;
- 污染等级: 3级。
- Ambient air temperature: -5°C ~ +40°C;
- Relative temperature: not more than 90% at +25;
- Altitude: no more than 2000m;
- Pollution level: Level 3.

外形及安装尺寸 Outline and mounting dimensions

尺寸 size	外形尺寸 (mm) Overall dimension(mm)				安装尺寸 (mm) Mounting size (mm)			
	Amax	Bmax	Cmax	Dmax	a	b	Φ	卡轨 Card track
型号 Model number								
CJ19-25	76	47	125	140	34/35	50/60	4.5	35
CJ19-32	85	57	132	140	40	48		
CJ19-43	85	57	136	140	40	48		
CJ19-63	127	77	150	180	40	100/110	6.5	75
CJ19-95	129	79	158	180	40	100/110		



CJ19-25、32、43外形及安装尺寸
CJ19-25, 32, 43 Outline and mounting dimensions

CJ19-63、95外形及安装尺寸
CJ19-63、95 Outline and mounting dimensions

CJ20系列交流接触器

CJ20 Series AC Contactor



适用范围 Scope of Application

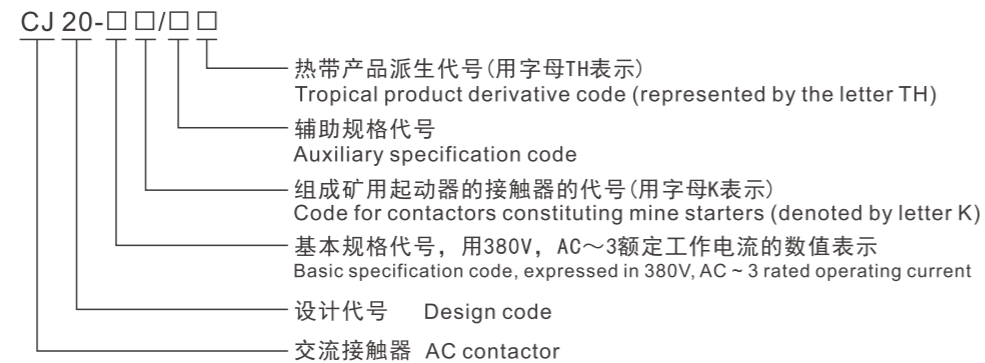
CJ20系列交流接触器主要用于交流50Hz、电压至660V(个别等级为1140V)、电流至630A的电务系统中接通和断开电路，并与适当的热继电器或电子式保护装置组成电磁起动器，以保护可能发生过负荷的电器。

* "03" 代表380V，一般可不写出，"06" 代表660V，如产品结构与380V时完全相同，亦不写出；"11" 代表1140V。

Cj20 series AC contactors are mainly used to connect and disconnect circuits in electrical service systems with AC 50Hz, voltage to 660V(individual grade 1140V) and current to 630A, and to form electromagnetic starters with appropriate thermal relays or electronic protection devices to protect electrical appliances that may be overloaded.

* "03" represents 380V, generally do not write, "06" represents 660V, if the product structure is exactly the same as 380V, also do not write; II stands for 1140V.

型号及含义 Model And Meaning



- 按380VAC~3额定工作电流分为10、16、25、40、63、100、160、250、400、630A十种。
- 按控制回路额定控制电源电压性质分：
 - a. 交流(50Hz)36、127、220、380V四种；
 - b. 直流：48、110、220V三种；
- According to 380VAC ~ 3 rated working current is divided into 10, 16, 25, 40, 63, 100, 160, 250, 400, 630A ten.
- According to the rated power supply voltage properties of the control loop:
 - a. AC (50Hz)36, 127, 220, 380V four kinds;
 - b. DC: 48, 110, 220V three kinds;

使用条件 Conditions of use

- 周围空气温度
 - a. 周围空气温度上限不超过+40°C；
 - b. 周围空气温度的下限值不低于-5°C(也可为-10°C或-25°C，但在订货时需向厂方申明)
- 海拔高度
安装地点的海拔不超过2000m。
- 大气条件
大气的相对湿度，在最高温度+40°C时不超过50%；
在较低温度下可以有较高的相对湿度，在最湿月的月平均最低温度为+25°C时的月平均最大相对湿度可为9%，并应考虑因温度变化发生的产品表面的凝露。
- 安装条件
接触器的应按图1所示工作位置安装。
安装面与垂直面的倾斜度不大于±5°，供煤矿井下用产品按±15°考核。
外形，安装尺寸及其有关数据见图1及表1

CJ20系列交流接触器

CJ20 Series AC Contactor

YIFA® 伊发
股票代码:870154

- Ambient air temperature
 - a. The upper limit of ambient air temperature does not exceed +40°C;
 - b. The lower limit of the ambient air temperature is not less than -5°C (it can also be -10°C or -25°C, but it should be stated to the manufacturer when ordering)
- altitude
The elevation of the installation site does not exceed 2000m.
- Atmospheric condition
The relative humidity of the atmosphere does not exceed 50% at the maximum temperature of +40°C;
The relative humidity can be higher at lower temperatures, and the monthly average maximum relative humidity can be 9% when the monthly average minimum temperature is +25°C in the wettest month, and the condensation on the surface of the product due to temperature changes should be considered.
- Installation condition
The contactor shall be installed at the working position as shown in Figure 1.
The inclination of the installation surface and the vertical plane is not more than ±5°, and the products used in the coal mine are assessed by ±15°.
Figure 1 and Table 1 show the outline, installation size and related data.

外形及安装尺寸 Outline and mounting dimensions

型号 Model number	A	B	C	a	b	F	Φ	c
CJ20-10	44.5	67.5	107	35±0.31	55±0.37	10	5	5
CJ20-16	44.5	73	116.5	35±0.31	60±0.37	10	5	5
CJ20-25	53	91	122	40±0.195	80±0.37	15	5	5
CJ20-40	87	112.5	118	70±0.37	80±0.37	30	5	6
CJ20-63	116	142	146	100±0.4	90±0.4	60	5.8	
CJ20-100	122	147	154	108±0.435	92±0.435	70	7	
CJ20-160	146	187	178	130±0.5	130±0.5	80	9	
CJ20-160/11	146	197	190	130±0.5	130±0.5	80	9	
CJ20-250	190	235	230	130±0.5	150±0.5	100	9	
CJ20-250/06	190	235	230	160±0.5	150±0.5	100	9	
CJ20-400	190	235	230	160±0.5	150±0.5	100	9	
CJ20-630	245	294	272	210±0.575	180±0.5	120	11	
CJ20-630/06	245	294	287	210±0.575	180±0.5	120	11	
CJ20-630/11								

